

ELECTRICAL DATA/INPUT :

Primary Nominal R.M.S. Current $I_r(A)$	Primary Current Measuring Range $I_p(A)$ at $V_{cc}=5V$	Part Name Type	Part Number
3~50	+Ir*3	NCTMXXXX-A/1	CT013CXXXX1A
Vcc	Supply Voltage		5V $\pm 5\%$
Ic	Current Consumption		<20mA
Iis	R.M.S. Voltage for 2.5KVAC Isolation test, 50/60Hz, 1min		<10mA
Ris	Isolation Resistance at 500 VDC		>500Mohm

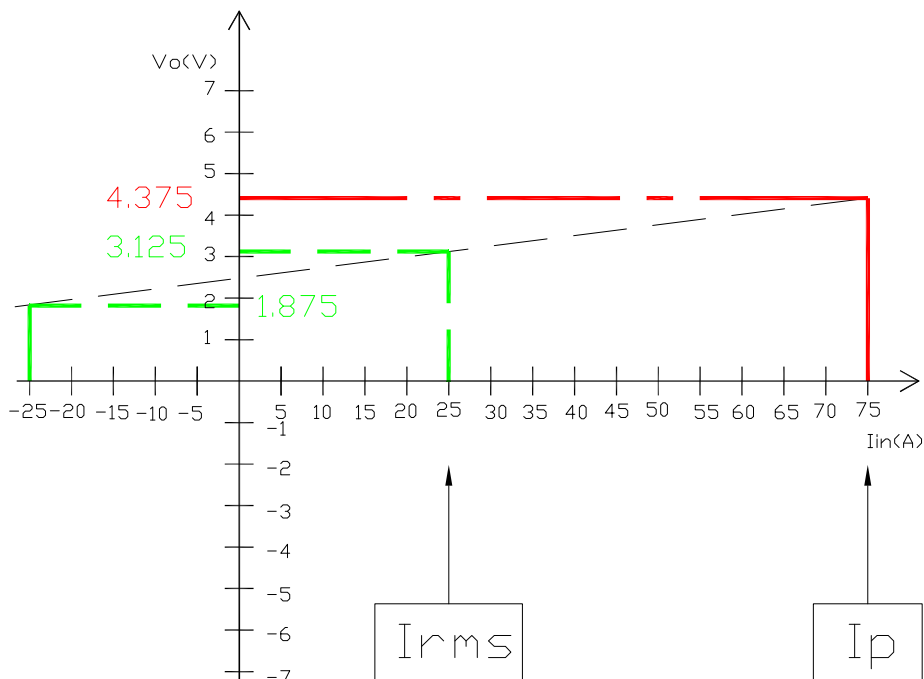
ELECTRICAL DATA/OUTPUT

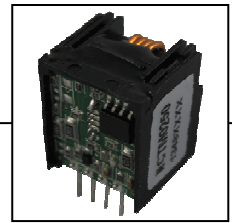
Vout	Output voltage at I_r , $T_A=25^\circ C$	$V_{oe} \pm 0.625V$
Rout	Output Impedance	<150 ohm
R_L	Load Resistor	>10Kohm
X	Accuracy at I_r , $T_A=25^\circ C$ (without offset)	< $\pm 1\%$
E_L	Linearity from 0 to I_r , $T_A=25^\circ C$	< $\pm 1\%$
Voe	Electrical Offset Voltage, $T_A=25^\circ C$	2.5V $\pm 50mV$
Vom	Magnetic Offset Voltage ($I_r \rightarrow 0$)	< $\pm 20mV$
Vot	Thermal Drift of Offset Voltage	< $\pm 2mV/^\circ C$
T.C.	Thermal Drift (-10 $^\circ C$ to 50 $^\circ C$)	< $\pm 0.1\%/^\circ C$
Tr	Response Time to 90% of I_r (f=1KHz)	<5us
FB	Frequency Bandwidth (-3dB)	50KHz

GENERAL DATA :

T_A	Ambient Operating Temperature	-25 ~ +85 $^\circ C$
T_s	Ambient Storage Temperature	-25 ~ +85 $^\circ C$

Output voltage v.s. Input current: Ex: $I_{rms}=25A$; $I_p=25*3=75A$, $V_{cc}=5V$ (Single power)

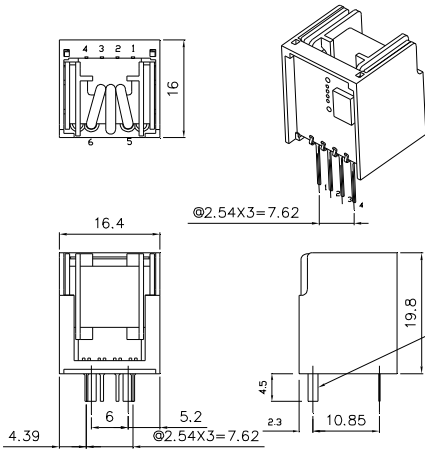




Outline dimension & Pin definition (all tolerance:±0.5)

Terminal Pin Identification

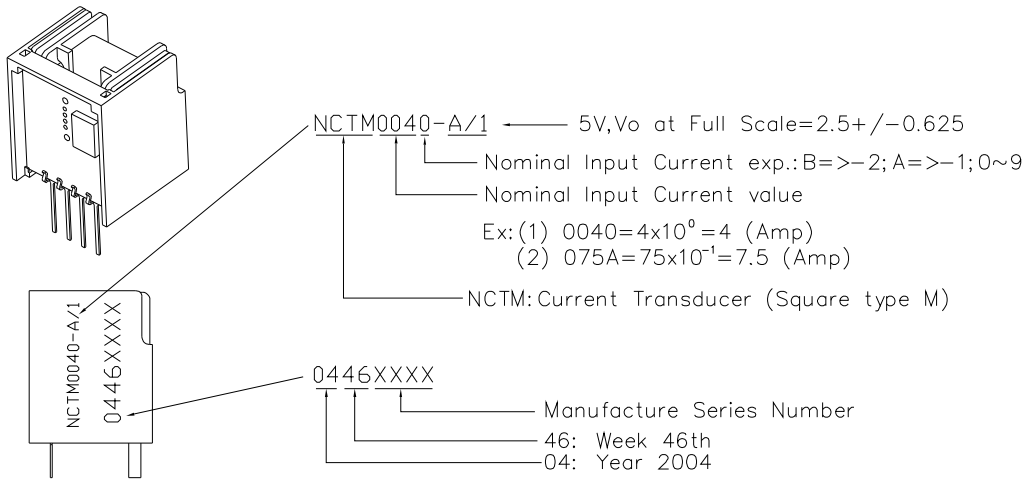
- 1. Ground or NC
- 2. Ground
- 3. V+
- 4. Output
- 5. Current Input +
- 6. Current Output -



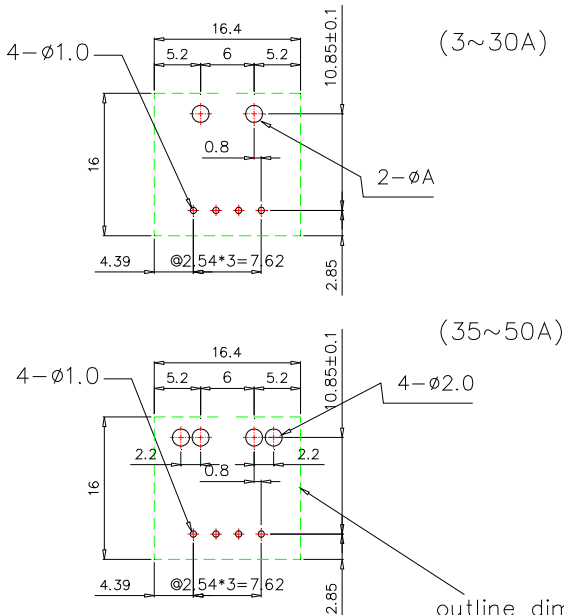
Primary Conductor Terminal

NCTM0030-A/1	∅0.6	NCTM185A-A/1	∅1.6
NCTM375B-A/1	∅0.6	NCTM0200-A/1	∅1.6
NCTM0040-A/1	∅0.6	NCTM0250-A/1	∅1.6
NCTM0050-A/1	∅0.8	NCTM0300-A/1	∅1.6
NCTM625B-A/1	∅0.8	NCTM0350-A/1	∅1.6X2
NCTM075A-A/1	∅1.0	NCTM375A-A/1	∅1.6X2
NCTM0100-A/1	∅1.0	NCTM0400-A/1	∅1.6X2
NCTM125A-A/1	∅1.6	NCTM0450-A/1	∅1.6X2
NCTM0150-A/1	∅1.6	NCTM0500-A/1	∅1.6X2

Marking & Description



Layout Recommend:



Part Name	∅A(mm)
NCTM0030-A/1	∅1.0
NCTM375B-A/1	∅1.0
NCTM0040-A/1	∅1.0
NCTM0050-A/1	∅1.2
NCTM625B-A/1	∅1.2
NCTM075A-A/1	∅1.4
NCTM0100-A/1	∅1.4
NCTM125A-A/1	∅2.0
NCTM0150-A/1	∅2.0
NCTM185A-A/1	∅2.0
NCTM0200-A/1	∅2.0
NCTM0250-A/1	∅2.0
NCTM0300-A/1	∅2.0