

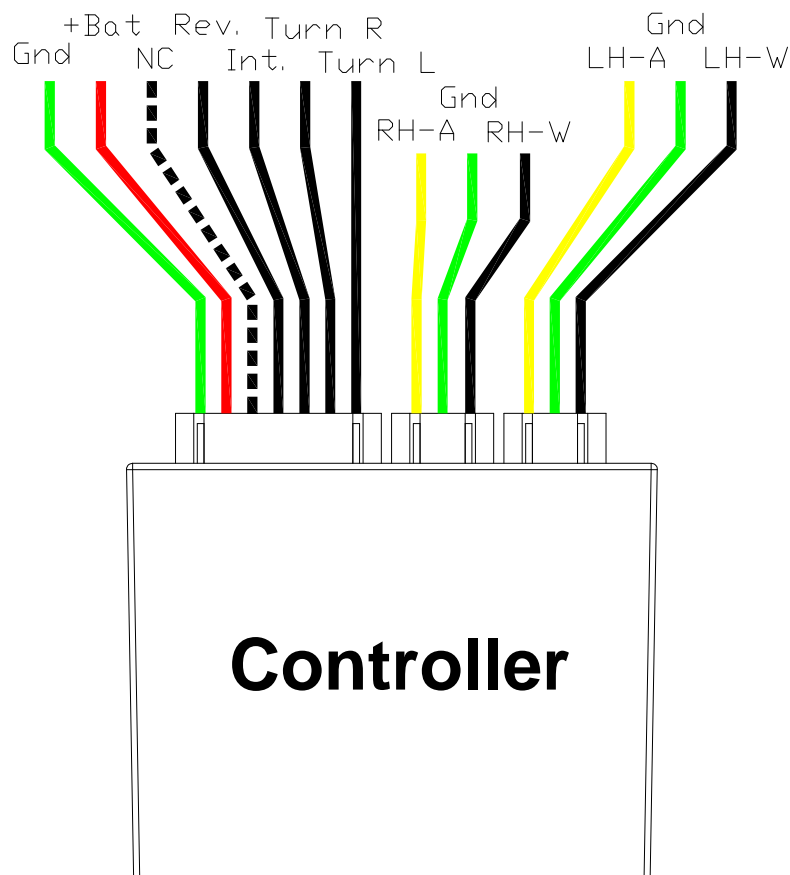


# BesTek's Technology Co., Ltd.

## 055A 把手燈(室內負控)控制器規格書

### A. function description:

1. Amber and White LEDs L/R turn ON with interior light input(- signal)  
車室內燈亮時，黃色(連接 LH-A/RH-A)及白色燈(連接 LH-W/RH-W)同時亮
2. LH Amber LED will turn ON while Turn signal LH ON(+ signal)  
當左轉方向燈亮時，左側黃燈(連接 LH-A)亮
3. RH Amber LED will turn ON while Turn signal RH ON(+ signal)  
當右轉方向燈亮時，右側黃燈(連接 RH-A)亮
4. Both LH/RH white LEDs turn ON when reverse signal input(+ signal)  
當倒車燈亮時，兩側白色燈(連接 LH-W/RH-W)同時亮
5. Wiring Definition:

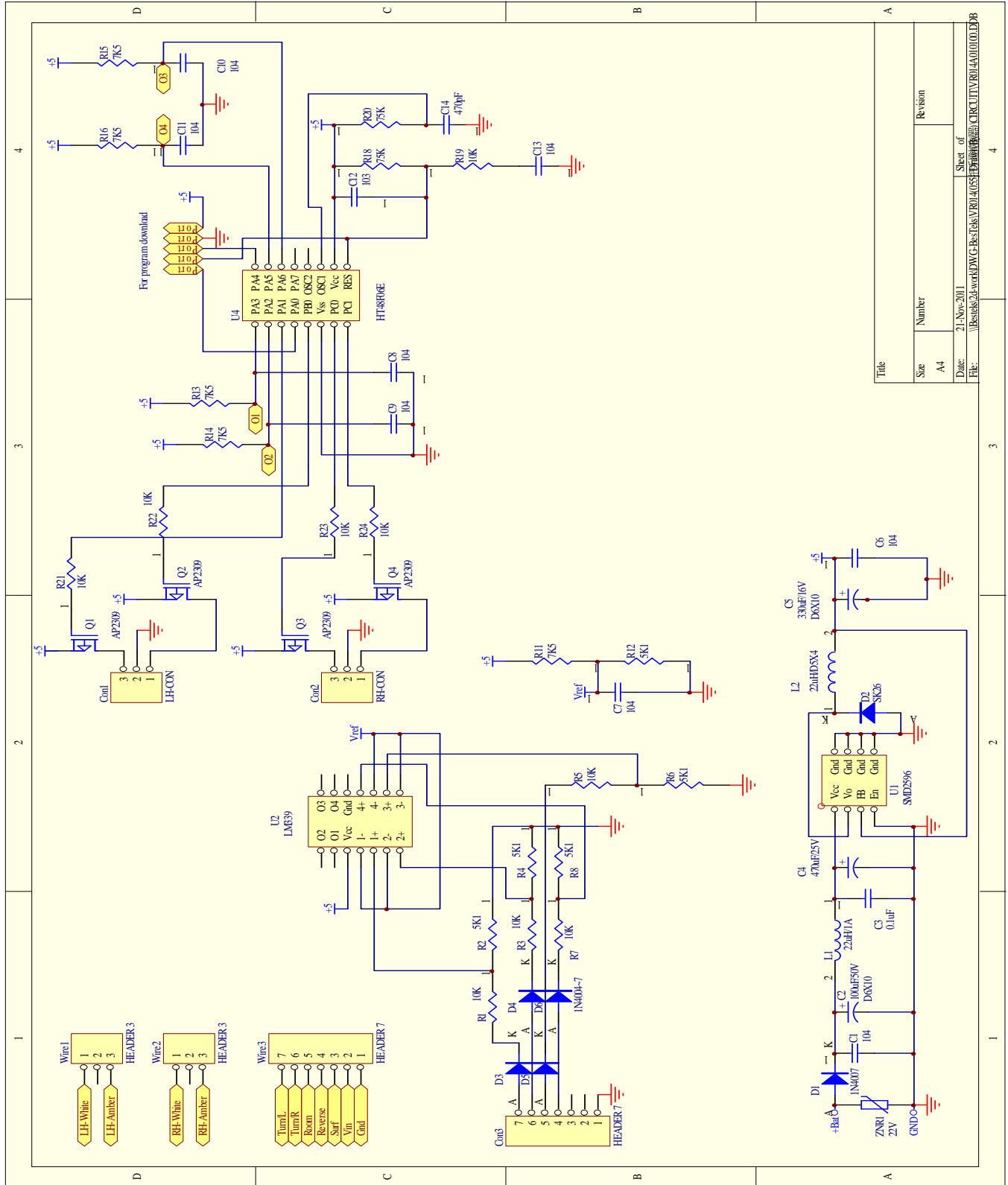




# BesTek Technology Co., Ltd.

## 055A 把手燈(室內負控)控制器規格書

### B. Schematic diagram:

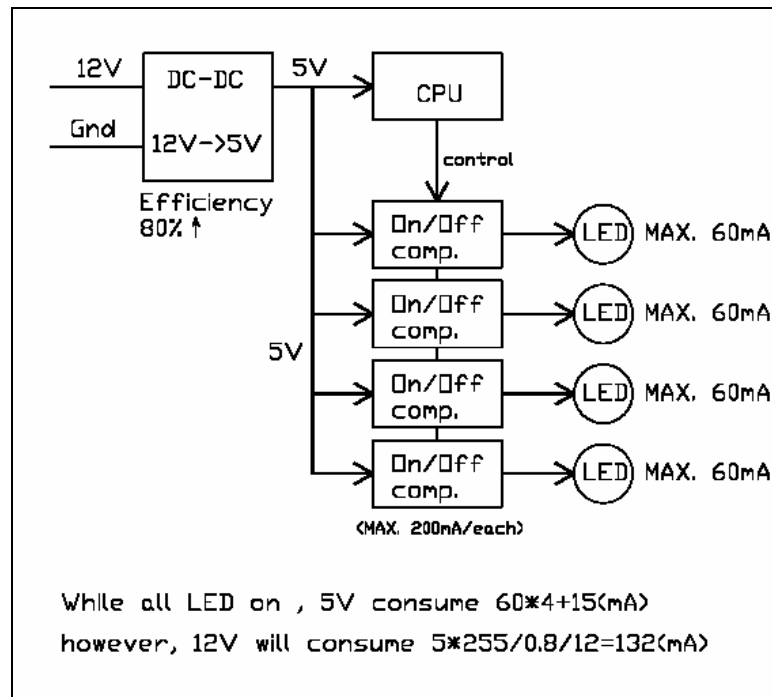




# BesTek Technology Co., Ltd.

## 055A 把手燈(室內負控)控制器規格書

### C. Electric function:



Input voltage:12Vdc

Consume current: <15mA +輸出電流

Output voltage:5Vdc  $\pm$  5%

### D. Outline dimension: (unit mm)

